

High Intensity Water Cooling UV LED Light System With Configurable Curing Length

Smiley UV LED Curing Unit's System Advantages

• Shorter Lead Times

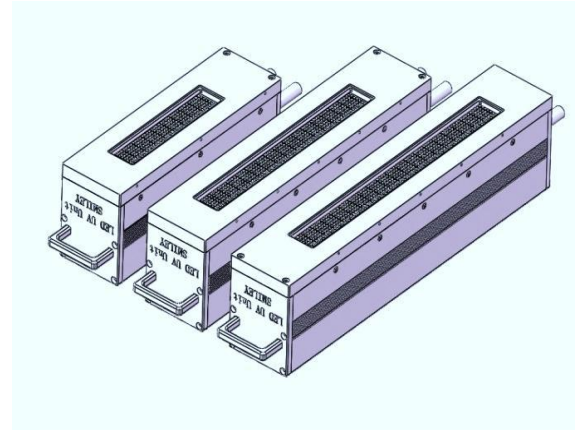
- No need for printed sheets to dry and can proceed to next work process immediately such as cutting and binding.
- Saves printing space as there is no need for room to dry the printed sheets.

• Environment-friendly

- Lower energy consumption reduces carbon dioxide emissions.

• Consistent Printing Quality

- Printed sheets can be stacked right after printing.
- No color changes due to dry-down



With the Smiley UV LED Curing Unit, Smiley Technology is presenting the latest generation of its highly regarded UV LED curing technology. The compact and intelligent modules cure UV LED inks in a cost-saving and environment-friendly and user-friendly manner thanks to their low energy consumption, absence of ozone emission. The UV LED curing system can be switched on and off during 50ms. Smiley UV LED Curing Unit Series products can flash up only during the time in which the actual ink curing has to occur. This saves energy and increases the service life. Smiley UV LED Curing Unit Series delivers high irradiance with fast curing in UV printing and assembly manufacturing; Ideal for a wide variety of applications.

Smiley UV LED Curing Unit's System's Features

• Greatly Reduced Power Consumption

UV LED curing power consumption is extremely low. Plus the UV LED light source can be instantly Switched ON and OFF to suit the operating status and reducing standby power consumption.

• Long Life

Compared to conventional UV curing system having approximately 1,000-3,000 hours, UV LED Curing System has a longer life of approximately 15,000 hours.

- No Ozone Smell**

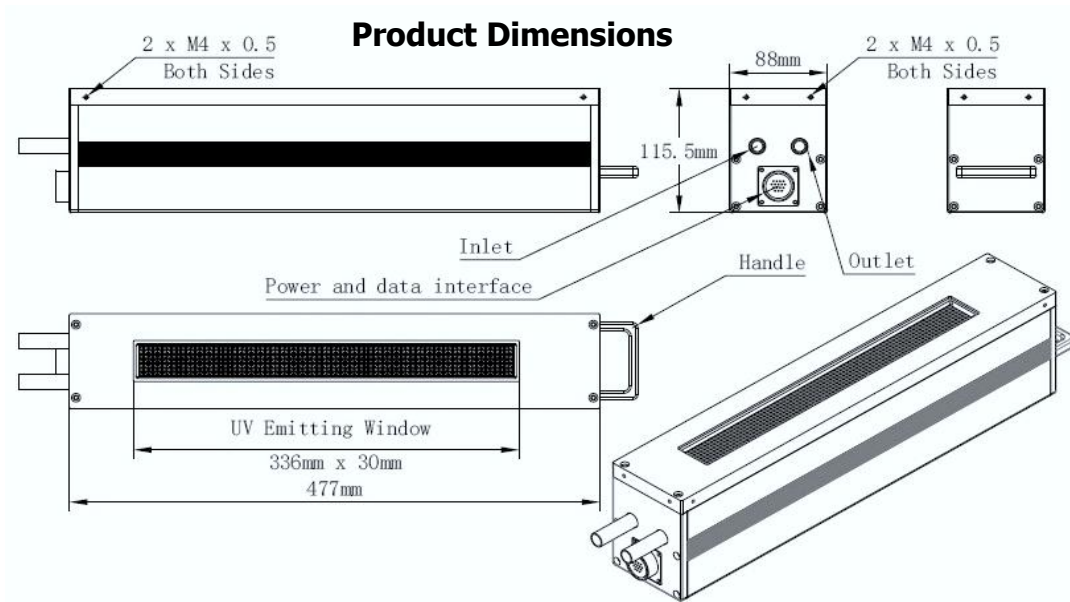
Deodorizing equipment or exhaust ducts are not needed.

- No Infrared Light**

The curing unit generates much less heat as UV LED curing unit does not produce infrared light.

- Mercury-free**

Mercury is not used in UV LED irradiating system.



Specifications

Irradiance at UV Emitting Window: 16w/cm²

Product Name	Emitting Window (mm)	Weight (KG)	Dimension (mm)		
			L	W	H
Smiley 134	134 x 30	0.9	277	88	115.5
Smiley 200	200 x 30	1.3	342	88	115.5
Smiley 267	267 x 30	1.8	412	88	115.5
Smiley 336	336 x 30	3.6	477	88	115.5

*Peak Irradiance (the maximum measured irradiance at the output of the UV emitting window)

All standard products have a peak wavelength of 395nm

Total UV Power: 648 W Up to 1600W

Pure UV Output : 380~420nm

Interface Control : PLC

Instant on/off: about 50ms

Power Supply: 100~240VAC

APPLICATIONS

Smiley products are successfully curing inks, coatings and adhesives in many demanding applications today.

Interested in integrating our technology? Smiley can tailor a solution for your particular integration needs. Please contact us to discuss your specific requirements