

## High Intensity Air Cooling UV LED Light System With Configurable Curing Length

### Smiley UV LED Curing Unit's System Advantages

#### • Shorter Lead Times

- No need for printed sheets to dry and can proceed to next work process immediately such as cutting and binding.
- Saves printing space as there is no need for room to dry the printed sheets.

#### • Environment-friendly

- Lower energy consumption reduces carbon dioxide emissions.

#### • Consistent Printing Quality

- Printed sheets can be stacked right after printing.
- No color changes due to dry-down



With the Smiley UV LED Curing Unit, Smiley Technology is presenting the latest generation of its highly regarded UV LED curing technology. The compact and intelligent modules cure UV LED inks in a cost-saving and environment-friendly and user-friendly manner thanks to their low energy consumption, absence of ozone emission. The UV LED curing system can be switched on and off during 50ms. Smiley UV LED Curing Unit Series products can flash up only during the time in which the actual ink curing has to occur. This saves energy and increases the service life. Smiley UV LED Curing Unit Series delivers high irradiance with fast curing in UV printing and assembly manufacturing; Ideal for a wide variety of applications

### Smiley LED UV Curing Unit's System's Features

#### • Greatly Reduced Power Consumption

UV LED curing power consumption is extremely low. Plus the UV LED light source can be instantly Switched ON and OFF to suit the operating status and reducing standby power consumption.

#### • Long Life

Compared to conventional UV curing system having approximately 1,000-3,000 hours, UV LED Curing System has a longer life of approximately 15,000 hours.

- No Ozone Smell**

Deodorizing equipment or exhaust ducts are not needed.

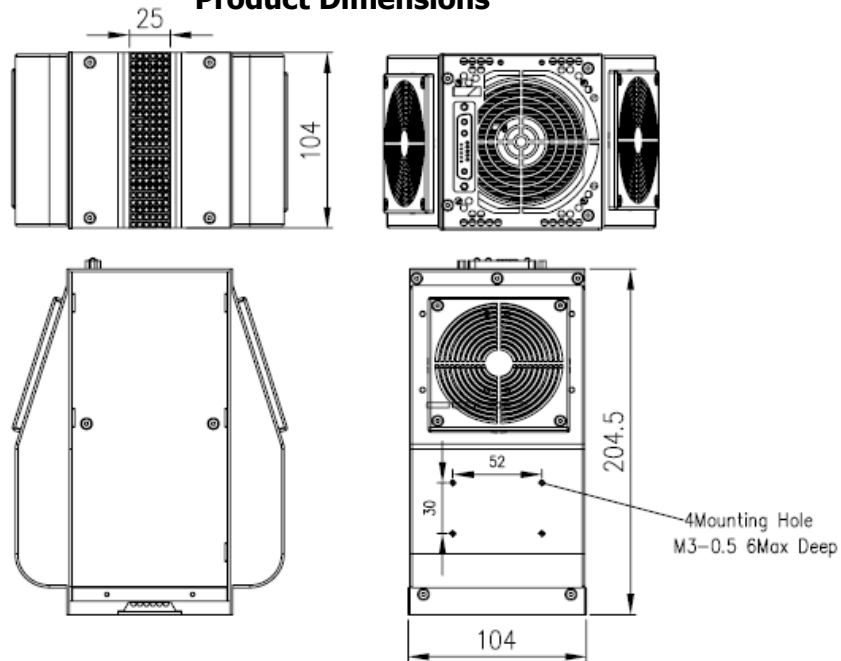
- No Infrared Light**

The curing unit generates much less heat as UV LED curing unit does not produce infrared light.

- Mercury-free**

Mercury is not used in UV LED irradiating system.

### Product Dimensions



### Specifications

**Irradiance at UV Emitting Window: 16w/cm<sup>2</sup>**

Product Name	Emitting Window (mm)	Weight (KG)	Dimension (mm)		
			L	W	H
<b>Smiley 104A</b>	104 x 25	2.3	104	157	204.5
<b>Smiley 208A</b>	208 x 25	3.6	208	157	204.5

\*Peak Irradiance (the maximum measured irradiance at the output of the UV emitting window)

All standard products have a peak wavelength of 395nm

**Total UV Power: Up to 830W**

**Pure UV Output : 380~420nm**

**Interface Control : PLC**

**Instant on/off: about 5ms**

**Power Supply: 100~240VAC**

### APPLICATIONS

Smiley products are successfully curing inks, coatings and adhesives in many demanding applications today.

Interested in integrating our technology? Smiley can tailor a solution for your particular integration needs. Please contact us to discuss your specific requirements